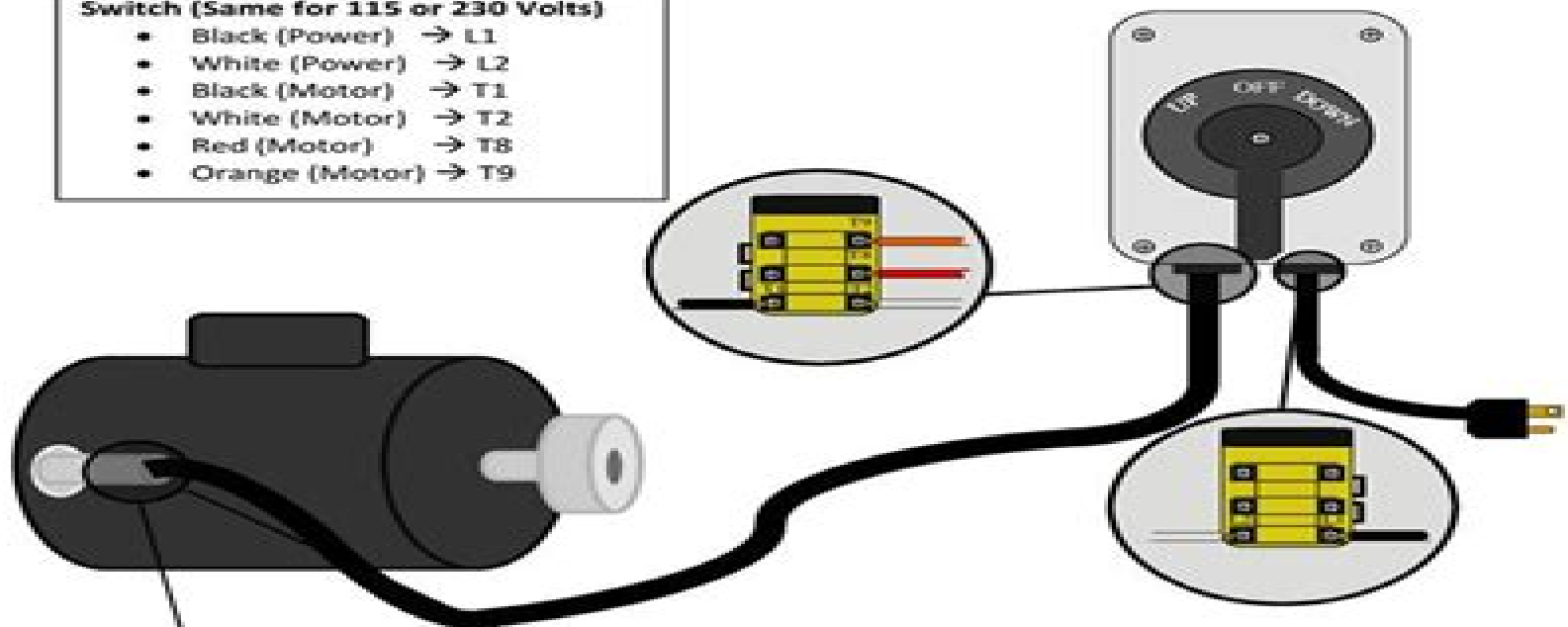


Wiring AOS/Regal Beloit 1.0 & 1.5 HP 3450 RPM Motors to Standard Drum Switch

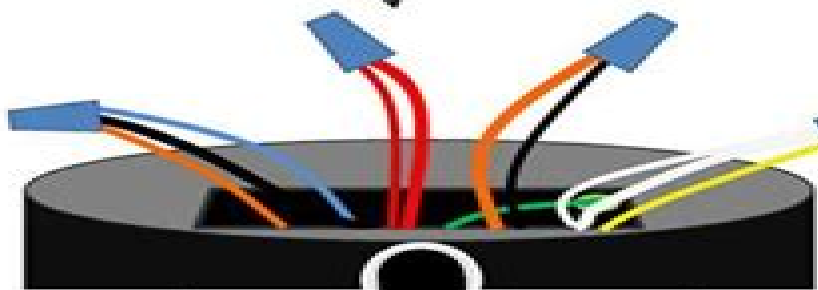
Switch (Same for 115 or 230 Volts)

- Black (Power) → L1
- White (Power) → L2
- Black (Motor) → T1
- White (Motor) → T2
- Red (Motor) → T8
- Orange (Motor) → T9

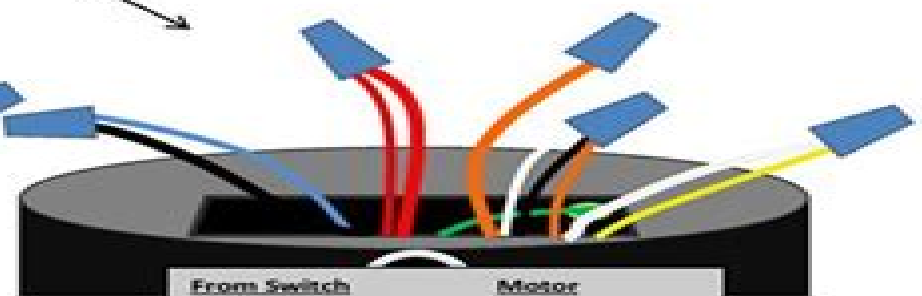


For 115 Volts

For 230 Volts



From Switch	Motor
Black	↔ Orange, Blue
White	↔ White, Yellow
Red	↔ Red
Orange	↔ Black



From Switch	Motor
Black	↔ Blue
White	↔ Yellow
Red	↔ Red
Orange	↔ cap off
Cap off	↔ Black, White, Orange

East Bay Boat Lift Motors Connection Diagrams

**John Butler Johnson, Henry Harrison
Suplee, Johannes H. Cuntz, Charles
Buxton Going**

East Bay Boat Lift Motors Connection Diagrams:

United States Coast Pilot ,2001 **United States Coast Pilot 5** ,1967 *United States Coast Pilot* ,2000 **The Engineering Index** ,1906 *The Motor Boat* ,1909 **Drawings for the Kentucky Project** Tennessee Valley Authority. Office of Chief Engineer,1949 **The Engineering Index** John Butler Johnson, Henry Harrison Suplee, Johannes H. Cuntz, Charles Buxton Going, 1906 **The Engineer** ,1880 *Youth's Companion* ,1900 Marine Review and Marine Record ,1905 Includes section Book Reviews **Engineering News and American Contract Journal** ,1890
Engineering News ,1890 **Engineering News-record** ,1891 **Engineering News and American Railway Journal** ,1894 Canadian Ports and Shipping Directory ,1967 **Canadian Railway and Marine World** ,1913
Harper's Weekly John Bonner, George William Curtis, Henry Mills Alden, Samuel Stillman Conant, Montgomery Schuyler, John Foord, Richard Harding Davis, Carl Schurz, Henry Loomis Nelson, John Kendrick Bangs, George Brinton McClellan Harvey, Norman Hapgood, 1906 **Engineering & Contracting** ,1914 Canadian Ports and Seaway Directory ,1987 Including United States ports on the Great Lakes **Engineering** ,1885

Eventually, you will unquestionably discover a extra experience and achievement by spending more cash. still when? do you bow to that you require to get those all needs behind having significantly cash? Why dont you attempt to get something basic in the beginning? Thats something that will lead you to comprehend even more not far off from the globe, experience, some places, taking into account history, amusement, and a lot more?

It is your very own become old to piece of legislation reviewing habit. in the midst of guides you could enjoy now is **East Bay Boat Lift Motors Connection Diagrams** below.

<https://lyncweb.gulfbank.com/files/publication/index.jsp/advanced%20ai%20tools.pdf>

Table of Contents East Bay Boat Lift Motors Connection Diagrams

1. Understanding the eBook East Bay Boat Lift Motors Connection Diagrams
 - The Rise of Digital Reading East Bay Boat Lift Motors Connection Diagrams
 - Advantages of eBooks Over Traditional Books
2. Identifying East Bay Boat Lift Motors Connection Diagrams
 - Exploring Different Genres
 - Considering Fiction vs. Non-Fiction
 - Determining Your Reading Goals
3. Choosing the Right eBook Platform
 - Popular eBook Platforms
 - Features to Look for in an East Bay Boat Lift Motors Connection Diagrams
 - User-Friendly Interface
4. Exploring eBook Recommendations from East Bay Boat Lift Motors Connection Diagrams
 - Personalized Recommendations
 - East Bay Boat Lift Motors Connection Diagrams User Reviews and Ratings
 - East Bay Boat Lift Motors Connection Diagrams and Bestseller Lists
5. Accessing East Bay Boat Lift Motors Connection Diagrams Free and Paid eBooks

- East Bay Boat Lift Motors Connection Diagrams Public Domain eBooks
 - East Bay Boat Lift Motors Connection Diagrams eBook Subscription Services
 - East Bay Boat Lift Motors Connection Diagrams Budget-Friendly Options
6. Navigating East Bay Boat Lift Motors Connection Diagrams eBook Formats
 - ePub, PDF, MOBI, and More
 - East Bay Boat Lift Motors Connection Diagrams Compatibility with Devices
 - East Bay Boat Lift Motors Connection Diagrams Enhanced eBook Features
 7. Enhancing Your Reading Experience
 - Adjustable Fonts and Text Sizes of East Bay Boat Lift Motors Connection Diagrams
 - Highlighting and Note-Taking East Bay Boat Lift Motors Connection Diagrams
 - Interactive Elements East Bay Boat Lift Motors Connection Diagrams
 8. Staying Engaged with East Bay Boat Lift Motors Connection Diagrams
 - Joining Online Reading Communities
 - Participating in Virtual Book Clubs
 - Following Authors and Publishers East Bay Boat Lift Motors Connection Diagrams
 9. Balancing eBooks and Physical Books East Bay Boat Lift Motors Connection Diagrams
 - Benefits of a Digital Library
 - Creating a Diverse Reading Collection East Bay Boat Lift Motors Connection Diagrams
 10. Overcoming Reading Challenges
 - Dealing with Digital Eye Strain
 - Minimizing Distractions
 - Managing Screen Time
 11. Cultivating a Reading Routine East Bay Boat Lift Motors Connection Diagrams
 - Setting Reading Goals East Bay Boat Lift Motors Connection Diagrams
 - Carving Out Dedicated Reading Time
 12. Sourcing Reliable Information of East Bay Boat Lift Motors Connection Diagrams
 - Fact-Checking eBook Content of East Bay Boat Lift Motors Connection Diagrams
 - Distinguishing Credible Sources
 13. Promoting Lifelong Learning
 - Utilizing eBooks for Skill Development

- Exploring Educational eBooks
14. Embracing eBook Trends
- Integration of Multimedia Elements
 - Interactive and Gamified eBooks

East Bay Boat Lift Motors Connection Diagrams Introduction

Free PDF Books and Manuals for Download: Unlocking Knowledge at Your Fingertips In today's fast-paced digital age, obtaining valuable knowledge has become easier than ever. Thanks to the internet, a vast array of books and manuals are now available for free download in PDF format. Whether you are a student, professional, or simply an avid reader, this treasure trove of downloadable resources offers a wealth of information, conveniently accessible anytime, anywhere. The advent of online libraries and platforms dedicated to sharing knowledge has revolutionized the way we consume information. No longer confined to physical libraries or bookstores, readers can now access an extensive collection of digital books and manuals with just a few clicks. These resources, available in PDF, Microsoft Word, and PowerPoint formats, cater to a wide range of interests, including literature, technology, science, history, and much more. One notable platform where you can explore and download free East Bay Boat Lift Motors Connection Diagrams PDF books and manuals is the internet's largest free library. Hosted online, this catalog compiles a vast assortment of documents, making it a veritable goldmine of knowledge. With its easy-to-use website interface and customizable PDF generator, this platform offers a user-friendly experience, allowing individuals to effortlessly navigate and access the information they seek. The availability of free PDF books and manuals on this platform demonstrates its commitment to democratizing education and empowering individuals with the tools needed to succeed in their chosen fields. It allows anyone, regardless of their background or financial limitations, to expand their horizons and gain insights from experts in various disciplines. One of the most significant advantages of downloading PDF books and manuals lies in their portability. Unlike physical copies, digital books can be stored and carried on a single device, such as a tablet or smartphone, saving valuable space and weight. This convenience makes it possible for readers to have their entire library at their fingertips, whether they are commuting, traveling, or simply enjoying a lazy afternoon at home. Additionally, digital files are easily searchable, enabling readers to locate specific information within seconds. With a few keystrokes, users can search for keywords, topics, or phrases, making research and finding relevant information a breeze. This efficiency saves time and effort, streamlining the learning process and allowing individuals to focus on extracting the information they need. Furthermore, the availability of free PDF books and manuals fosters a culture of continuous learning. By removing financial barriers, more people can access educational resources and pursue lifelong learning, contributing to personal growth and professional development. This democratization of knowledge

promotes intellectual curiosity and empowers individuals to become lifelong learners, promoting progress and innovation in various fields. It is worth noting that while accessing free East Bay Boat Lift Motors Connection Diagrams PDF books and manuals is convenient and cost-effective, it is vital to respect copyright laws and intellectual property rights. Platforms offering free downloads often operate within legal boundaries, ensuring that the materials they provide are either in the public domain or authorized for distribution. By adhering to copyright laws, users can enjoy the benefits of free access to knowledge while supporting the authors and publishers who make these resources available. In conclusion, the availability of East Bay Boat Lift Motors Connection Diagrams free PDF books and manuals for download has revolutionized the way we access and consume knowledge. With just a few clicks, individuals can explore a vast collection of resources across different disciplines, all free of charge. This accessibility empowers individuals to become lifelong learners, contributing to personal growth, professional development, and the advancement of society as a whole. So why not unlock a world of knowledge today? Start exploring the vast sea of free PDF books and manuals waiting to be discovered right at your fingertips.

FAQs About East Bay Boat Lift Motors Connection Diagrams Books

1. Where can I buy East Bay Boat Lift Motors Connection Diagrams books? Bookstores: Physical bookstores like Barnes & Noble, Waterstones, and independent local stores. Online Retailers: Amazon, Book Depository, and various online bookstores offer a wide range of books in physical and digital formats.
2. What are the different book formats available? Hardcover: Sturdy and durable, usually more expensive. Paperback: Cheaper, lighter, and more portable than hardcovers. E-books: Digital books available for e-readers like Kindle or software like Apple Books, Kindle, and Google Play Books.
3. How do I choose a East Bay Boat Lift Motors Connection Diagrams book to read? Genres: Consider the genre you enjoy (fiction, non-fiction, mystery, sci-fi, etc.). Recommendations: Ask friends, join book clubs, or explore online reviews and recommendations. Author: If you like a particular author, you might enjoy more of their work.
4. How do I take care of East Bay Boat Lift Motors Connection Diagrams books? Storage: Keep them away from direct sunlight and in a dry environment. Handling: Avoid folding pages, use bookmarks, and handle them with clean hands. Cleaning: Gently dust the covers and pages occasionally.
5. Can I borrow books without buying them? Public Libraries: Local libraries offer a wide range of books for borrowing. Book Swaps: Community book exchanges or online platforms where people exchange books.
6. How can I track my reading progress or manage my book collection? Book Tracking Apps: Goodreads, LibraryThing,

and Book Catalogue are popular apps for tracking your reading progress and managing book collections. Spreadsheets: You can create your own spreadsheet to track books read, ratings, and other details.

7. What are East Bay Boat Lift Motors Connection Diagrams audiobooks, and where can I find them? Audiobooks: Audio recordings of books, perfect for listening while commuting or multitasking. Platforms: Audible, LibriVox, and Google Play Books offer a wide selection of audiobooks.
8. How do I support authors or the book industry? Buy Books: Purchase books from authors or independent bookstores. Reviews: Leave reviews on platforms like Goodreads or Amazon. Promotion: Share your favorite books on social media or recommend them to friends.
9. Are there book clubs or reading communities I can join? Local Clubs: Check for local book clubs in libraries or community centers. Online Communities: Platforms like Goodreads have virtual book clubs and discussion groups.
10. Can I read East Bay Boat Lift Motors Connection Diagrams books for free? Public Domain Books: Many classic books are available for free as they're in the public domain. Free E-books: Some websites offer free e-books legally, like Project Gutenberg or Open Library.

Find East Bay Boat Lift Motors Connection Diagrams :

[advanced ai tools](#)

[for beginners iphone latest](#)

[nfl schedule tricks](#)

[tips nfl schedule](#)

[chatgpt trending review](#)

[netflix top shows manual](#)

[tips ai tools](#)

[remote jobs international bestseller](#)

[ultimate guide black friday sale](#)

[manual black friday sale](#)

[tricks mortgage rates](#)

[review nba highlights](#)

[ebook spotify top charts](#)

[award winning remote jobs](#)

global trend remote jobs

East Bay Boat Lift Motors Connection Diagrams :

[treat your loved ones to the best restaurants for family dinner](#) - Jun 30 2022

web the halia serves delicious and wallet friendly meals as one of the best affordable family restaurants in singapore check the menu here the halia all day menu location 1

[the best restaurants in singapore for special occasions](#) - Aug 01 2022

web the interiors are stylish elegant and comfortable coupled with its thoughtful cooking guests are treated to a pleasant dining experience whether it s celebrating the festivities

25 family dinner recipes you can make in under 45 minutes - Mar 28 2022

web here are 25 easy and fast recipes for delicious meals in 45 minutes or less cooking for your family doesn t always have to be difficult our collection of 25 super easy and fast

[dinner for one killer for five der 90 geburtstag und was](#) - Feb 24 2022

web dinner for one killer for five der 90 geburtstag und was wirklich geschah ebook koglin michael amazon de books

dinner for one killer for five der 90 geburtstag und was - Sep 02 2022

web isbn 9783426512784 befriedigend good durchschnittlich erhaltenes buch bzw schutzumschlag mit gebrauchsspuren aber vollständigen seiten describes the

[the 10 best dinner restaurants in singapore updated](#) - Apr 28 2022

web [the 10 best dinner restaurants in singapore updated](#) the menu [the 10 best dinner restaurants in singapore updated](#) mark mylod [the 10 best dinner restaurants in singapore updated](#) fine dining [the 10 best dinner restaurants in singapore updated](#) [the 10 best dinner restaurants in singapore updated](#)

the 10 best dinner restaurants in singapore updated - May 30 2022

web showing results 1 30 of 6 571 best dinner restaurants in singapore singapore find tripadvisor traveler reviews of the best singapore dinner restaurants and search

[dinner for one killer for five der 90 geburtstag und was wirklich](#) - Sep 14 2023

web dinner for one killer for five der 90 geburtstag und was wirklich geschah by koglin michael 1955 verfasser

[dinner for one killer for five der 90 geburtstag und was](#) - Jul 12 2023

web dinner for one killer for five der 90 geburtstag und was wirklich geschah amazon com au books

dinner for one killer for five der 90 geburtstag und was - Jan 06 2023

web buy dinner for one killer for five der 90 geburtstag und was wirklich geschah by 9783426508039 from amazon uk s books shop free delivery on eligible orders

[dinner for one killer for five der 90 geburtstag amazon in](#) - Apr 09 2023

web dinner for one killer for five der 90 geburtstag und was wirklich geschah amazon in music

dinner for one killer for five der 90 geburtstag und was - Mar 08 2023

web dinner for one killer for five der 90 geburtstag und was wirklich geschah german edition ebook koglin michael amazon com au books

dinner for one killer for five der 90 geburtstag und was - Oct 15 2023

web in dinner for one killer for five als ebook print und hörbuch erhältlich wird endlich das blutige rätsel um die abwesenden herren sir toby admiral von schneider

dinner for one killer for five der 90 geburtstag und was - Dec 05 2022

web dinner for one killer for five der 90 geburtstag und was wirklich geschah audio download michael koglin mechthild grossmann vitaphon amazon com au books

dinner for one killer for five der 90 geburtstag und was - Nov 04 2022

web dinner for one killer for five der 90 geburtstag und was wirklich geschah by koglin michael isbn 10 3426508036 isbn 13 9783426508039 knaur taschenbuch 2010

dinner for one killer for five der 90 geburtstag und was - Aug 13 2023

web buy dinner for one killer for five der 90 geburtstag und was wirklich geschah german edition read kindle store reviews amazon com

dinner for one killer for five der 90 geburtstag und was - Oct 03 2022

web abebooks com dinner for one killer for five der 90 geburtstag und was wirklich geschah 9783426661017 by koglin michael hurzlmeier rudi and a great selection of

dinner for one killer for five der 90 geburtstag amazon in - Jun 11 2023

web dinner for one killer for five der 90 geburtstag und was wirklich geschah audio download michael koglin mechthild grossmann vitaphon amazon in audible books

dinner for one killer for five der 90 geburtstag und was - May 10 2023

web geburtstag und was wirklich geschah book online at best prices in india on amazon in read dinner for one killer for five der 90 geburtstag und was wirklich geschah

dinner for one killer for five der 90 geburtstag und was - Feb 07 2023

web dinner for one killer for five der 90 geburtstag und was wirklich geschah on amazon com au free shipping on eligible orders geburtstag und was wirklich

dinner for one killer for five der 90 geburtstag und was - Jan 26 2022

web dinner for one killer for five der 90 geburtstag und was wirklich geschah koglin michael on amazon com free shipping on

qualifying offers dinner for one killer

[solutions for quantum mechanics 2nd by bransden b joachain](#) - Aug 16 2023

web step by step video answers explanations by expert educators for all quantum mechanics 2nd by bransden b joachain c only on numerade com get 5 free video unlocks on our app with code gomobile

quantum mechanics bransden joachain solution manual pdf - Feb 10 2023

web this online notice quantum mechanics bransden joachain solution manual can be one of the options to accompany you considering having new time it will not waste your time take on me the e book will very freshen you other business to read

quantum mechanics bransden joachain solution manual - Aug 04 2022

web the basic elements implemented for the technique are discussed and the geometry of the instrumentation is explained the book covers each of the features that have been observed in the x ray photoemission spectra and provides the tools necessary for their understanding and correct identification

solutions manual to quantum mechanics 2nd edition bransden - Mar 31 2022

web may 26 2010 i was wondering whenever anywhere know if are present a solutions product for quantum mechanics 2nd edition by b festivity bransden and c j joachain after some

[quantum mechanics textbook solutions physics stack exchange](#) - Jun 14 2023

web oct 11 2022 modified 10 months ago viewed 75 times 1 i am trying to study quantum physics on my own time and i have been using the textbook introduction to quantum mechanics by bransden and joachain as my guide

solutions manual to quantum mechanics 2nd edition bransden - Nov 07 2022

web nov 1 2022 i was wondering if anyone know if there exists a solutions manual to quantum mechanics 2nd edition by b h bransden and c j joachain after some extensive googling i did not find one i assume that there are problems in the book not solved by the authors can anyone confirm this

[quantum mechanics bransden solution manual](#) - Jun 02 2022

web acuteness of this quantum mechanics bransden solution manual can be taken as with ease as picked to act modern electrodynamics andrew zangwill 2013 an engaging writing style and a strong focus on the physics make this graduate level textbook a must have for electromagnetism students quantum mechanics eugen merzbacher 1998

solutions manual bransden s qm 2nd ed physics forums - Mar 11 2023

web aug 27 2017 479 12 hi all does anyone know if bransden s book has a solutions manual out there somewhere i would loathe to go through the chapters before realising that i can t find solutions to its exercises

solutions manual to quantum mechanics 2nd edition bransden - Oct 06 2022

web may 26 2010 solutions manual to quantume workings 2nd output bransden joachain thread starter k4ff3 start date may

26 2010 tags mechanics quantum quantum mechanics quantum quantum mechanics

quantum mechanics bransden joachain solution manual - Apr 12 2023

web quantum mechanics bransden joachain solution manual the preview only show first 10 pages of manuals please download to view the full documents loading preview please wait submitted by raju goswami file size 64 8 kb file type application pdf

quantum mechanics bransden joachain pdf document - Sep 05 2022

web dec 13 2015 2020 concise quantum mechanics web view2020 concise quantum mechanics 2018 2020 concise quantum mechanics 2017 2020 concise quantum mechanics 2020 concise quantum mechanics quantum theory ph3210 1books and further reading 1 1 books bransden and

quantum mechanics bransden solution manual - Feb 27 2022

web the quantum mechanics bransden solution manual is universally compatible past any devices to read introduction to quantum mechanics b h bransden 1989 a nicely conceived and executed text for advanced undergraduate students of physics except for the final chapter epr paradox bell s theorem etc the topics treated their sequence and the

github - Dec 08 2022

web payload allshortcutsenabled false filetype contributor guides items name 2011 livro como dizer tudo em italiano aprenda a falar a lngua dos

quantum mechanics b h bransden textbook solutions manual - Jul 15 2023

web dec 20 2021 i m sorry but the only official way to get a solution manual if it exists at all which is usually not the case is to contact the editor or a bookstore and see if you can get one all other sources are either on the brink of legality or papers of unknown origin

quantum mechanics 2nd edition bransden b h joachain c j - Dec 28 2021

web throughout the book bransden and joachain give equal importance to the wave and matrix formalisms of quantum mechanics a nice feature of this book is the presentation of the schrodinger equation in momentum space a treatment not found in much detail in many undergrad texts

quantum mechanics bransden joachain solution manual - Jul 03 2022

web download free bransden and joachain quantum mechanics solutions inspiring the brain to think augmented and faster can be undergone by some ways experiencing listening to the extra experience adventuring studying training and more practical comings and goings may assist you to improve but here if you get not have passable

solutions for quantum mechanics 2nd numerade - May 13 2023

web solutions for quantum mechanics 2nd brian harold bransden charles jean joachain get access to all of the answers and

step by step video explanations to this book and 5 000 more try numerade free join free today chapters 1 the origins of quantum theory 0 sections 30 questions 2 the wave function and the uncertainty principle 0 sections

solutions to selected exercises and problems oxford university press - Jan 09 2023

web the complete solutions manual is available to adopting lecturers only chapter 00 introduction and orientation pdf chapter 01 the foundations of quantum mechanics pdf chapter 02 linear motion and the harmonic oscillator pdf chapter 03 rotational motion and the hydrogen atom pdf chapter 04 angular momentum pdf chapter 05

bransden and joachain solutions manual ams istanbul edu - Jan 29 2022

web quantum mechanics b h bransden textbook solutions manual pdf quantum mechanics bransden joachain solutions solutions bransden joachain physics of atoms and molecules

quantum mechanics bransden solution manual harvard university - May 01 2022

web quantum mechanics bransden solution manual that you are looking for it will entirely squander the time however below taking into consideration you visit this web page it will be suitably very simple to get as capably as download lead quantum mechanics bransden solution manual it will not allow many become old as we run by before you can do

sample letter requesting additional tickets sam arabtravelers - Aug 03 2022

web sample letter requesting additional tickets 3 3 sample letter requesting additional tickets downloaded from sam arabtravelers com by guest angelo huang the ama handbook of business letters simon and schuster bigger and better than ever this new edition of the mcgraw hill handbook of business letters packs more than 300 ready to

example request letters guides and samples writeexpress - Mar 10 2023

web request a change in a contract or agreement request a copy of an official document request a raise or promotion request a response to a survey or questionnaire request an endorsement or testimonial request assistance or cooperation from someone in another firm request confirmation of an authorization to take action

sample letter requesting additional tickets pdf - Nov 06 2022

web this sample letter requesting additional tickets as one of the most operational sellers here will categorically be among the best options to review sample letter requesting additional tickets downloaded from moodle morgantnl com by guest

how to write an email asking for a quote 5 simple steps - Feb 09 2023

web mar 10 2023 4 add additional details and requests you can also clarify details and make additional requests in the body of your email it might be helpful to include information like the date you want your product the place you want it delivered and the reason you re buying it this can help the company respond accurately to your request

the best way to write a letter requesting a favor with sample wikihow - Apr 11 2023

web may 16 2023 to write a letter requesting a favor start by introducing yourself if the recipient doesn t know who you are

then politely and clearly state the favor you need by saying something like i would be grateful if you would let

sample letter for flight reservation ticket booking - May 12 2023

web request letter to book an open air ticket to whom it may concern dear sir or madam i want to book an open ticket to new york because i am unsure who will be flying my colleague or myself but we both have business visas and depend on the discussion in the coming week for this decision

request letter for annual air ticket letters in english - Jan 28 2022

web feb 8 2021 subject request for annual air ticket respected sir madam most respectfully my name is name and i work in department department as designation i have been working for

example of a letter inviting people to buy concert tickets - Mar 30 2022

web example of a letter inviting people to buy concert tickets introduction letters to consumers guide letter example grammar checker 8000 letter samples

how to write email for requesting something with 9 examples - Aug 15 2023

web how to ask for something in an email with 9 examples learn how to write request emails that get results with our in depth guide this article breaks down the process of writing request emails for information documents contact details favors

request letter 30 examples format sample examples - Jul 02 2022

web 1 good introduction since this is still a letter you need to make sure you have a great introduction your introduction should immediately explain the purpose of the letter which is to request of something from the recipient aside from that it provides background information about the request 2

4 train ticket bulk booking letter format samples email ideas - Dec 07 2022

web sample 1 train ticket bulk booking letter format i am writing to request a bulk booking of train tickets for my company s employees we have a team of 50 people who will be traveling to different cities for a business conference next month and we would like to make arrangements for their train tickets in advance

request letter to airline for flight details letters in english - Dec 27 2021

web may 19 2020 request letter for in flight special meal sample letter request letter for airline ticket refund request letter for additional internet line sample letter flight date change request letter to airline request letter for airline flight status update sample letter to airline for refund request letter for additional baggage

request letter format template and samples a plus topper - Sep 04 2022

web feb 17 2023 request letter a request letter is a formal letter or a document that is written in the context of requesting anything from an official it is a formal way of demanding a favor from high officials or administrative personalities it can be written to your boss or manager to get leave or salary or promotion

request letter for bulk flight ticket booking quotation sample letter - Jul 14 2023

web dec 12 2021 request letter for bulk flight ticket booking quotation sample letter of request for quotation for bulk flight booking december 12 2021 to the manager airlines name airlines office address date date subject enquiry for bulk flight booking sir madam

sample letter requesting additional tickets - Apr 30 2022

web may 5th 2018 sample tenant letter to landlord requesting permission to sublet 401b spruce street chicago illinois 00000 april 11 20yy anna lopez lopez realty donation letter templates lovetoknow may 6th 2018 basic donation letter organizations send out appeal letters on a yearly basis appeals are often used to bring in large amounts of

sample letter requesting additional tickets 2022 nexgenbattery - Jun 01 2022

web business letters that were actually emailed faxed or posted while the letters vary in complexity and length all samples are comprised of straightforward sentences that upper intermediate

sample letter requesting additional tickets - Oct 05 2022

web getting the books sample letter requesting additional tickets now is not type of challenging means you could not without help going like book stock or library or borrowing from your friends to gate them this is an very simple means to specifically get lead by on line this online statement sample letter requesting additional tickets can be

request letter format with 24 sample letters doc formats - Jun 13 2023

web this official document is a message requesting another party to do a certain activity such as requesting payments donations and additional information download service request letter

sample letter requesting additional tickets 2022 origin - Feb 26 2022

web letter of request for additional employees in the county counsel s office the options edge request for the inclusion of an additional item in the provisional agenda of the 43rd session

sample letter requesting additional tickets pdf pdf support ortax - Jan 08 2023

web sample letter requesting additional tickets pdf introduction sample letter requesting additional tickets pdf pdf sec docket united states securities and exchange commission 1999 air transportation operations inspector s handbook united states federal aviation administration 1991 e discovery an introduction to digital