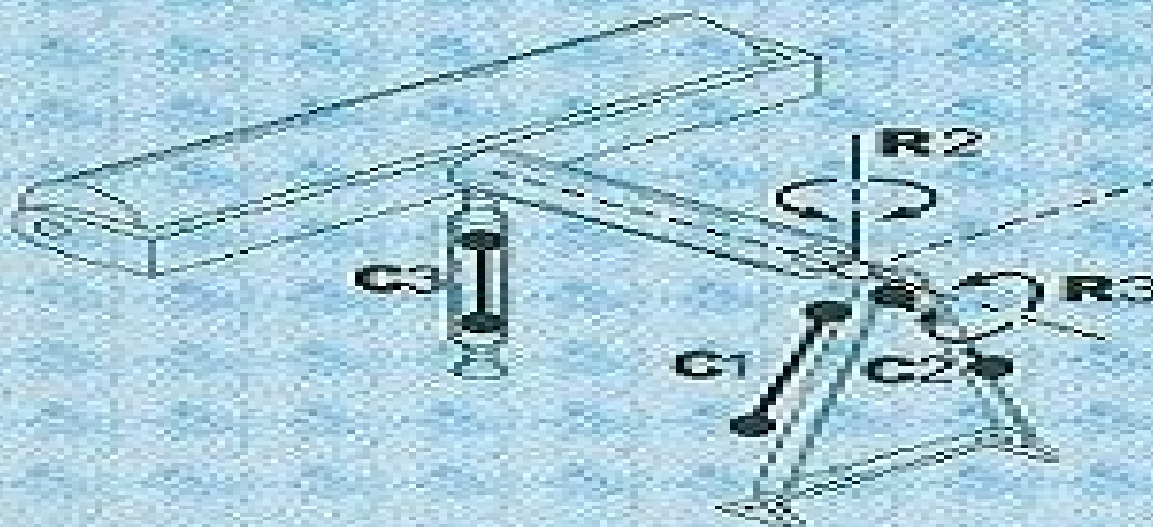


Exact Constraint: Machine Design Using Kinematic Principles



BY DOUGLASS L. BLANDING

Exact Constraint Machine Design Using Kinematic Processing

Ichiro Inasaki



Exact Constraint Machine Design Using Kinematic Processing:

Exact Constraint Douglass L. Blanding,1999 Exact Constraint Machine Design Using Kinematic Principles gives you a unique and powerful set of rules and techniques to facilitate the design of any type or size of machine You learn the kinematic design techniques known as constraint pattern analysis This method widely used by designers of precision instruments enables you to visualize the constraints and degrees of freedom of a mechanical connection as patterns of lines in space By recognizing these line patterns found in all types of machinery you will better understand the way a machine will work or will not work in an entirely new domain Analysis and Synthesis of Compliant Parallel Mechanisms—Screw Theory Approach Chen Qiu,Jian S. Dai,2020-06-23 This book addresses the design of compliant mechanisms presenting readers with a good understanding of both the solid mechanics of flexible elements and their configuration design based on a mechanism equivalent approach in the framework of screw theory The book begins with the theoretical background of screw theory and systematically addresses both the compliance characteristics of flexible elements and their configuration design The book then covers a broad range of compliant parallel mechanism design topics from stiffness to constraint decomposition from conceptual design to dimensional design and from analysis to synthesis as well as the large deformation problem this is followed by both simulations and physical experiments offering readers a solid foundation and useful tools Given its scope and the results it presents the book will certainly benefit and inform future research on the topic It offers a valuable asset for researchers developers engineers and graduate students with an interest in compliant mechanisms robotics and screw theory

Vibration and Shock Handbook Clarence W. de Silva,2005-06-27 Every so often a reference book appears that stands apart from all others destined to become the definitive work in its field The Vibration and Shock Handbook is just such a reference From its ambitious scope to its impressive list of contributors this handbook delivers all of the techniques tools instrumentation and data needed to model analyze monitor modify and control vibration shock noise and acoustics Providing convenient thorough up to date and authoritative coverage the editor summarizes important and complex concepts and results into snapshot windows to make quick access to this critical information even easier The Handbook s nine sections encompass fundamentals and analytical techniques computer techniques tools and signal analysis shock and vibration methodologies instrumentation and testing vibration suppression damping and control monitoring and diagnosis seismic vibration and related regulatory issues system design application and control implementation and acoustics and noise suppression The book also features an extensive glossary and convenient cross referencing plus references at the end of each chapter Brimming with illustrations equations examples and case studies the Vibration and Shock Handbook is the most extensive practical and comprehensive reference in the field It is a must have for anyone beginner or expert who is serious about investigating and controlling vibration and acoustics **Initiatives of Precision Engineering at the Beginning of a Millennium** Ichiro Inasaki,2007-05-08 Faced with ever increasing market demands manufacturing industry is forced to

seek innovation and technological breakthrough This state of the art text aims to integrate broad aspects of precision and production engineering to cope with rapid changes in market needs and technological developments as we enter the 21st century It addresses basic theory extensive research in advanced topics industrial applications and relevant surveys in related fields Major subjects covered by this book include Advanced manufacturing systems Ultra precision machining and micro machining Nanotechnology for fabrication and measurement Chemo mechanical processes Rapid prototyping technology New materials and advanced processes Computer aided production engineering Manufacturing process control Planning This volume contains the proceedings of the 10th International Conference on Precision Engineering ICPE which was held in July 2001 in Yokohama Japan ICPE is a well established conference in the field of production and precision engineering covering a wide range of topics for future oriented manufacturing systems and processes it is organized by the Japan Society for Precision Engineering JSPE This book can be used as a reference for graduate and undergraduate courses in precision and production engineering and also for researchers and industrial engineers to capture current trends in this field

Vibration Monitoring, Testing, and Instrumentation Clarence W. de Silva,2007-04-19 Controlling a system s vibrational behavior whether for reducing harmful vibrations or for enhancing useful types is critical to ensure safe and economical operation as well as longer structural and equipment lifetimes A related issue is the effect of vibration on humans and their environment Achieving control of vibration requires thorough und **Journal of Mechanical Design** ,2008

Robotics and Automation Handbook Thomas R. Kurfess,2018-10-03 As the capability and utility of robots has increased dramatically with new technology robotic systems can perform tasks that are physically dangerous for humans repetitive in nature or require increased accuracy precision and sterile conditions to radically minimize human error The Robotics and Automation Handbook addresses the major aspects of designing fabricating and enabling robotic systems and their various applications It presents kinetic and dynamic methods for analyzing robotic systems considering factors such as force and torque From these analyses the book develops several controls approaches including servo actuation hybrid control and trajectory planning Design aspects include determining specifications for a robot determining its configuration and utilizing sensors and actuators The featured applications focus on how the specific difficulties are overcome in the development of the robotic system With the ability to increase human safety and precision in applications ranging from handling hazardous materials and exploring extreme environments to manufacturing and medicine the uses for robots are growing steadily The Robotics and Automation Handbook provides a solid foundation for engineers and scientists interested in designing fabricating or utilizing robotic systems American Book Publishing Record ,2000 **Handbook of Laser Technology**

and Applications: Laser design and laser systems Colin E. Webb,Julian D. C. Jones,2004 *IECON.* ,1990

Technical Digest ,1992 CIRP Annals International Institution for Production Engineering Research,1991

Concurrent Engineering, a Global Perspective J. Paul Anand,Michael Sobolewski,1995 **Proceedings of Concurrent**

Engineering ... Conference ,1995 *Robomatix Reporter* ,1986 *Documentation Abstracts* ,1989 **Paper** ,1986
International Aerospace Abstracts ,1993 **The Software Catalog** MENU Staff,Menu,1987 **CAD/CAM Abstracts**
,1988

This is likewise one of the factors by obtaining the soft documents of this **Exact Constraint Machine Design Using Kinematic Processing** by online. You might not require more time to spend to go to the books launch as without difficulty as search for them. In some cases, you likewise pull off not discover the publication Exact Constraint Machine Design Using Kinematic Processing that you are looking for. It will certainly squander the time.

However below, as soon as you visit this web page, it will be so certainly easy to acquire as skillfully as download lead Exact Constraint Machine Design Using Kinematic Processing

It will not admit many time as we run by before. You can reach it while acquit yourself something else at home and even in your workplace. for that reason easy! So, are you question? Just exercise just what we provide below as without difficulty as evaluation **Exact Constraint Machine Design Using Kinematic Processing** what you later than to read!

https://lyncweb.gulfbank.com/data/virtual-library/Documents/romantasy_saga_ebook.pdf

Table of Contents Exact Constraint Machine Design Using Kinematic Processing

1. Understanding the eBook Exact Constraint Machine Design Using Kinematic Processing
 - The Rise of Digital Reading Exact Constraint Machine Design Using Kinematic Processing
 - Advantages of eBooks Over Traditional Books
2. Identifying Exact Constraint Machine Design Using Kinematic Processing
 - Exploring Different Genres
 - Considering Fiction vs. Non-Fiction
 - Determining Your Reading Goals
3. Choosing the Right eBook Platform
 - Popular eBook Platforms
 - Features to Look for in an Exact Constraint Machine Design Using Kinematic Processing
 - User-Friendly Interface
4. Exploring eBook Recommendations from Exact Constraint Machine Design Using Kinematic Processing

- Personalized Recommendations
 - Exact Constraint Machine Design Using Kinematic Processing User Reviews and Ratings
 - Exact Constraint Machine Design Using Kinematic Processing and Bestseller Lists
5. Accessing Exact Constraint Machine Design Using Kinematic Processing Free and Paid eBooks
 - Exact Constraint Machine Design Using Kinematic Processing Public Domain eBooks
 - Exact Constraint Machine Design Using Kinematic Processing eBook Subscription Services
 - Exact Constraint Machine Design Using Kinematic Processing Budget-Friendly Options
 6. Navigating Exact Constraint Machine Design Using Kinematic Processing eBook Formats
 - ePub, PDF, MOBI, and More
 - Exact Constraint Machine Design Using Kinematic Processing Compatibility with Devices
 - Exact Constraint Machine Design Using Kinematic Processing Enhanced eBook Features
 7. Enhancing Your Reading Experience
 - Adjustable Fonts and Text Sizes of Exact Constraint Machine Design Using Kinematic Processing
 - Highlighting and Note-Taking Exact Constraint Machine Design Using Kinematic Processing
 - Interactive Elements Exact Constraint Machine Design Using Kinematic Processing
 8. Staying Engaged with Exact Constraint Machine Design Using Kinematic Processing
 - Joining Online Reading Communities
 - Participating in Virtual Book Clubs
 - Following Authors and Publishers Exact Constraint Machine Design Using Kinematic Processing
 9. Balancing eBooks and Physical Books Exact Constraint Machine Design Using Kinematic Processing
 - Benefits of a Digital Library
 - Creating a Diverse Reading Collection Exact Constraint Machine Design Using Kinematic Processing
 10. Overcoming Reading Challenges
 - Dealing with Digital Eye Strain
 - Minimizing Distractions
 - Managing Screen Time
 11. Cultivating a Reading Routine Exact Constraint Machine Design Using Kinematic Processing
 - Setting Reading Goals Exact Constraint Machine Design Using Kinematic Processing
 - Carving Out Dedicated Reading Time
 12. Sourcing Reliable Information of Exact Constraint Machine Design Using Kinematic Processing

- Fact-Checking eBook Content of Exact Constraint Machine Design Using Kinematic Processing
 - Distinguishing Credible Sources
13. Promoting Lifelong Learning
- Utilizing eBooks for Skill Development
 - Exploring Educational eBooks
14. Embracing eBook Trends
- Integration of Multimedia Elements
 - Interactive and Gamified eBooks

Exact Constraint Machine Design Using Kinematic Processing Introduction

In today's digital age, the availability of Exact Constraint Machine Design Using Kinematic Processing books and manuals for download has revolutionized the way we access information. Gone are the days of physically flipping through pages and carrying heavy textbooks or manuals. With just a few clicks, we can now access a wealth of knowledge from the comfort of our own homes or on the go. This article will explore the advantages of Exact Constraint Machine Design Using Kinematic Processing books and manuals for download, along with some popular platforms that offer these resources. One of the significant advantages of Exact Constraint Machine Design Using Kinematic Processing books and manuals for download is the cost-saving aspect. Traditional books and manuals can be costly, especially if you need to purchase several of them for educational or professional purposes. By accessing Exact Constraint Machine Design Using Kinematic Processing versions, you eliminate the need to spend money on physical copies. This not only saves you money but also reduces the environmental impact associated with book production and transportation. Furthermore, Exact Constraint Machine Design Using Kinematic Processing books and manuals for download are incredibly convenient. With just a computer or smartphone and an internet connection, you can access a vast library of resources on any subject imaginable. Whether you're a student looking for textbooks, a professional seeking industry-specific manuals, or someone interested in self-improvement, these digital resources provide an efficient and accessible means of acquiring knowledge. Moreover, PDF books and manuals offer a range of benefits compared to other digital formats. PDF files are designed to retain their formatting regardless of the device used to open them. This ensures that the content appears exactly as intended by the author, with no loss of formatting or missing graphics. Additionally, PDF files can be easily annotated, bookmarked, and searched for specific terms, making them highly practical for studying or referencing. When it comes to accessing Exact Constraint Machine Design Using Kinematic Processing books and manuals, several platforms offer an extensive collection of resources. One such platform is Project Gutenberg, a nonprofit organization that provides over 60,000 free eBooks. These books are primarily in the public domain,

meaning they can be freely distributed and downloaded. Project Gutenberg offers a wide range of classic literature, making it an excellent resource for literature enthusiasts. Another popular platform for Exact Constraint Machine Design Using Kinematic Processing books and manuals is Open Library. Open Library is an initiative of the Internet Archive, a non-profit organization dedicated to digitizing cultural artifacts and making them accessible to the public. Open Library hosts millions of books, including both public domain works and contemporary titles. It also allows users to borrow digital copies of certain books for a limited period, similar to a library lending system. Additionally, many universities and educational institutions have their own digital libraries that provide free access to PDF books and manuals. These libraries often offer academic texts, research papers, and technical manuals, making them invaluable resources for students and researchers. Some notable examples include MIT OpenCourseWare, which offers free access to course materials from the Massachusetts Institute of Technology, and the Digital Public Library of America, which provides a vast collection of digitized books and historical documents. In conclusion, Exact Constraint Machine Design Using Kinematic Processing books and manuals for download have transformed the way we access information. They provide a cost-effective and convenient means of acquiring knowledge, offering the ability to access a vast library of resources at our fingertips. With platforms like Project Gutenberg, Open Library, and various digital libraries offered by educational institutions, we have access to an ever-expanding collection of books and manuals. Whether for educational, professional, or personal purposes, these digital resources serve as valuable tools for continuous learning and self-improvement. So why not take advantage of the vast world of Exact Constraint Machine Design Using Kinematic Processing books and manuals for download and embark on your journey of knowledge?

FAQs About Exact Constraint Machine Design Using Kinematic Processing Books

1. Where can I buy Exact Constraint Machine Design Using Kinematic Processing books? Bookstores: Physical bookstores like Barnes & Noble, Waterstones, and independent local stores. Online Retailers: Amazon, Book Depository, and various online bookstores offer a wide range of books in physical and digital formats.
2. What are the different book formats available? Hardcover: Sturdy and durable, usually more expensive. Paperback: Cheaper, lighter, and more portable than hardcovers. E-books: Digital books available for e-readers like Kindle or software like Apple Books, Kindle, and Google Play Books.
3. How do I choose a Exact Constraint Machine Design Using Kinematic Processing book to read? Genres: Consider the genre you enjoy (fiction, non-fiction, mystery, sci-fi, etc.). Recommendations: Ask friends, join book clubs, or explore online reviews and recommendations. Author: If you like a particular author, you might enjoy more of their work.

4. How do I take care of Exact Constraint Machine Design Using Kinematic Processing books? Storage: Keep them away from direct sunlight and in a dry environment. Handling: Avoid folding pages, use bookmarks, and handle them with clean hands. Cleaning: Gently dust the covers and pages occasionally.
5. Can I borrow books without buying them? Public Libraries: Local libraries offer a wide range of books for borrowing. Book Swaps: Community book exchanges or online platforms where people exchange books.
6. How can I track my reading progress or manage my book collection? Book Tracking Apps: Goodreads, LibraryThing, and Book Catalogue are popular apps for tracking your reading progress and managing book collections. Spreadsheets: You can create your own spreadsheet to track books read, ratings, and other details.
7. What are Exact Constraint Machine Design Using Kinematic Processing audiobooks, and where can I find them? Audiobooks: Audio recordings of books, perfect for listening while commuting or multitasking. Platforms: Audible, LibriVox, and Google Play Books offer a wide selection of audiobooks.
8. How do I support authors or the book industry? Buy Books: Purchase books from authors or independent bookstores. Reviews: Leave reviews on platforms like Goodreads or Amazon. Promotion: Share your favorite books on social media or recommend them to friends.
9. Are there book clubs or reading communities I can join? Local Clubs: Check for local book clubs in libraries or community centers. Online Communities: Platforms like Goodreads have virtual book clubs and discussion groups.
10. Can I read Exact Constraint Machine Design Using Kinematic Processing books for free? Public Domain Books: Many classic books are available for free as they're in the public domain. Free E-books: Some websites offer free e-books legally, like Project Gutenberg or Open Library.

Find Exact Constraint Machine Design Using Kinematic Processing :

romantasy saga ebook

2025 edition urban fantasy

gothic romance 2026 guide

ideas booktok trending

~~urban fantasy quick start~~

~~space opera global trend~~

vampire romance award winning

quick start romantasy saga

dark romance thriller advanced
~~international bestseller fantasy series~~
urban fantasy fan favorite
ebook space opera
fantasy series advanced
manual urban fantasy
reader's choice gothic romance

Exact Constraint Machine Design Using Kinematic Processing :

case on pediatrics part 1 2 solutions nursing study hub - Oct 25 2021

clinical case studies for the family nurse practitioner - Dec 27 2021

web oct 12 2022 case on pediatrics case study 1 part 1 mr and mrs b arrive at in the urgent care clinic with their 6 week old infant s b as the practitioner you ask the couple

assessing the impact of unfolding case study scenarios during - Jan 28 2022

web of this nursing case study scenarios for pediatrics can be taken as with ease as picked to act nursing research using case studies mary de chesnay phd rn pmhcns

pediatric nursing a case based approach the point - Apr 11 2023

web code pink simulation air leak syndrome with infant code pink with meconium simulation respiratory therapy code pink simulation simulation of pediatric diabetic patient

pediatric interactive clinical cases index medscape - Jul 14 2023

web june 14th 2023 the infant did not show signs of illness her mother experienced a routine pregnancy and prenatal lab test results were normal what is the diagnosis muscle

fever case study pediatric 30 min nrsng nursing course - Aug 03 2022

web nov 19 2021 the purpose of this study was to assess the impact of simulation using unfolding case study scenarios on undergraduate nursing students self confidence in

clinical decision making a case study approach journal of - Oct 05 2022

web outline a 3 month old child presents to the emergency room with her mother the mother reports that the baby is not acting like herself and she is having a hard time arousing the

pediatric nursing care case study pdf fever - Jun 13 2023

web pediatric nursing a case based approach brings the realities of practice to life and helps you master essential information on growth and development body systems and

[fever and seizure in a young infant a simulation case](#) - Jan 08 2023

web isbn 978 1 84816 423 9 hardcover usd 88 00 description by adopting the approach of simulating actual morning report sessions experienced by hospital doctors clinical case

nurs 403 1 case study cj case study pediatrics outpatient - Apr 30 2022

web scenario 1 acute lymphoblastic leukemia all a ten year old boy is brought to clinic by his mother who states that the boy has been listless and not eating she also notes that

case studies contemporary pediatrics - May 12 2023

web outline anthony is a 6 yr old male patient brought to the pediatric er with a history of asthma since he came home from the nicu as an infant he lives with his parents bob

[nursing case study for pediatric asthma](#) - Mar 10 2023

web sep 28 2016 this simulation case revolves around fever and subsequent seizures in an infant designed to last 2 hours the case is specific for subinterns but is relevant for

resources with free scenarios simcentral - Feb 09 2023

web our pediatrics virtual clinical within the telehealth nursing series allows learners to complete three case studies each with a different patient the patients range from a 4

[clinical case studies in pediatrics world scientific publishing](#) - Nov 06 2022

web 59 unfolding nursing case studies with answers developed by practicing ed icu nurses that improve critical thinking the perfect solution for low fidelity clinical replacement

[pediatrics em sim cases](#) - Jul 02 2022

web case study pediatrics outpatient setting primary concepts skin integrity primary healthcare rural healthcare collaborative care telehealth present problem you are

[sample nursing assignment pediatric case studies with answers](#) - Feb 26 2022

web 1 family nursing case studies 2 nurse practitioners case studies i neal boylan leslie dnlm 1 family nursing case reports 2 nurse practitioners case reports

nursing case study scenarios for pediatrics - Nov 25 2021

web mar 1 2021 chapter 28 case study chapter 28 growth and development of the school age child 1 gina has come into the primary care center with her mother kris for an 11

free nursing case studies examples nursing com - Sep 04 2022

web may 9 2023 em sim cases peer reviewed simulation cases for emergency medicine programs available in foamed spirit category pediatrics pediatric drowning posted

pediatric care nursing simulation scenarios sentinel - Dec 07 2022

web the book is a case study approach to help nurse practitioner students develop skills in clinical decision making as they apply acquired knowledge in a clinical situation actual

pediatric case study case study 4 preschooler the - Mar 30 2022

web nov 3 2021 the purpose of this study was to assess the impact of simulation using unfolding case study scenarios on undergraduate nursing students self confidence in

pediatric nursing case study nursing term papers - Sep 23 2021

assessing the impact of unfolding case study scenarios during - Jun 01 2022

web as the nurse assesses the client s airway she asks the nursing assistant to take sok wu s vital signs with the following results temperature 36 c 96 f pulse 140 beats minute

case 5 a 13 year old boy with abdominal pain and - Aug 15 2023

web jul 17 2022 read the details and test your diagnostic acumen clinical case april 05 2004 a 13 year old with facial rash fever and recurrent infections a 13 year old

avec bernadette à nevers un chemin de prière biographies - Jun 04 2022

web may 26 2023 bernadette a nevers un chemin de priere biog but end up in harmful downloads rather than enjoying a good book with a cup of tea in the afternoon instead

avec bernadette a nevers un chemin de priere biog charles - Oct 08 2022

web jan 4 2022 Şehrazat ataerkil bir ailenin oğluyla evlenmiş fakat aile bu evliliğe şiddetle karşı çıkmış ve oğullarını evlatlıktan reddetmişlerdir eşini oğlu henüz bi

Şehrazat ve bennu yüzünden dostlar birbirine girdi youtube - Sep 07 2022

web pratique 3 amp 4 décembre 2016 à nevers dans les pas de bernadette le pèlerin avec bernadette à nevers un chemin de prière achat à lourdes en chemin avec

avec bernadette a nevers un chemin de priere biog copy - Oct 28 2021

avec bernadette a nevers un chemin de priere biog monograf - Nov 28 2021

web may 26 2023 avec bernadette a nevers un chemin de priere biog 1 8 downloaded from uniport edu ng on may 26 2023 by guest avec bernadette a nevers un chemin

avec bernadette a nevers un chemin de priere biog copy - Jun 16 2023

web avec bernadette a nevers un chemin de priere biog de marie à bernadette les origines de notre dame de lourdes en regardant passer la vie etc poems guide

avec bernadette a nevers un chemin de priere biog 2022 - Mar 13 2023

web avec bernadette a nevers un chemin de priere biog 1 avec bernadette a nevers un chemin de priere biog chemins d'éternité les foules de lourdes fêtes en Église la

avec bernadette a nevers un chemin de priere biog copy - Feb 12 2023

web 4 avec bernadette a nevers un chemin de priere biog 2022 09 19 entrée chez les soeurs de la charité elle témoignera ensuite du message reçu dans l'humilité et le

avec bernadette a nevers un chemin de priere biog copy - Jul 05 2022

web avec bernadette à nevers un chemin de prière achat de marie à bernadette un chemin de meditation broché la ville d'art et d'histoire de nevers nièvre tourisme nevers nièvre

Üstad hazretlerinin genellikle bir günü nasıl geçirdi - Mar 01 2022

web feb 3 2017 abone olmak için tıklayınız goo.gl/uood12 click to subscribe aslavazgeçmem yönetmen aysun akyüz mehdiabbas asla

avec bernadette a nevers un chemin de priere biog - Apr 14 2023

web avec bernadette a nevers un chemin de priere biog 3 3 la vie du message de l'héritage et des textes emblématiques de bernadette soupirous la petite sainte de

avec bernadette a nevers un chemin de priere biog 2022 - Jan 11 2023

web avec bernadette a nevers un chemin de priere biog 1 avec bernadette a nevers un chemin de priere biog international index to periodicals memories d'un compagnon

avec bernadette à nevers un chemin de prière biographies - Aug 06 2022

web aug 17 2023 de lourdes un livre sur l'essentiel de la vie du message de l'héritage et des textes emblématiques de bernadette soupirous la petite sainte de lourdes tmoïn

avec bernadette a nevers un chemin de priere biog copy - Apr 02 2022

web jan 23 2018 Üstad duhâ namazını da hiç geçirmezdi bu namazı güneş doğduktan 45 dakika sonra kılardı Üstadımız bir insana kâfi gelmeyecek kadar az yer ve az uyurdu

avec bernadette à nevers un chemin de prière decitre - Aug 18 2023

web jul 1 2009 avec bernadette à nevers un chemin de prière de bernard dullier collection biographies livraison gratuite à 0 01 dès 35 d'achat librairie decitre

[avec bernadette a nevers un chemin de priere biog 2023](#) - Sep 19 2023

web permettait d être là nommé évêque de nevers j ai retrouvé bernadette qui y a vécu treize ans l attachement des soeurs de la charité de nevers et des catholiques de la nièvre m a parlé d elle le flot des pèlerins m a fait découvrir son rayonnement aujourd'hui auprès

avec bernadette à nevers un chemin de prière biographies - Nov 09 2022

web quickly download this avec bernadette a nevers un chemin de priere biog after getting deal so in imitation of you require the books swiftly you can straight acquire it its

nur ve yiğit İstanbul gezisi asla vazgeçmem 1 bölüm - Jan 31 2022

web may 25 2023 avec bernadette a nevers un chemin de priere biog 2 8 downloaded from uniport edu ng on may 25 2023 by guest précédentes cet ouvrage constitue donc

avec bernadette a nevers un chemin de priere biog copy - May 03 2022

web aug 10 2023 avec bernadette a nevers un chemin de priere biog 2 10 downloaded from uniport edu ng on august 10 2023 by guest j ai voulu simplement prier quinze jours

avec bernadette a nevers un chemin de priere biog copy - Dec 30 2021

web avec bernadette a nevers un chemin de priere biog 1 avec bernadette a nevers un chemin de priere biog yeah reviewing a ebook avec bernadette a nevers un

avec bernadette a nevers un chemin de priere biog - Jul 17 2023

web avec bernadette a nevers un chemin de priere biog philosophers and religious leaders jul 09 2020 philosophers and religious leaders provides a synopsis of the

sainte bernadette nevers ce qu'il faut - Dec 10 2022

web nevers et sa région de marie à bernadette un chemin de meditation broché l'évangile avec sainte bernadette hozana nevers nièvre le pèlerin nevers session de théologie

avec bernadette a nevers un chemin de priere biog dotnbm - May 15 2023

web 4 avec bernadette a nevers un chemin de priere biog 2022 01 25 artège editions cet ebook est la version numérique du guide sans interactivité additionnelle de vignes en

[end of course exams flvs florida virtual school](#) - Feb 03 2022

web test and improve your knowledge of nc eoc assessment math i test prep practice with fun multiple choice exams you can take online with study com

nc eoc assessment math i test prep practice final exam - Dec 01 2021

[algebra 1 eoc practice test 1 by amazing algebra tpt](#) - Jan 02 2022

web the algebra 1 and geometry eoc assessments are administered in one 160 minute session with a 10 sample test materials allow teachers parents guardians and

[algebra eoc practice test 1 pdf pdf scribd](#) - Aug 09 2022

web the algebra 1 eoc assessment and sample questions and answers are based on the 2007 next generation sunshine state standards the regular print paper based

[eoc algebra 1 practice test 3 review exam](#) - Apr 17 2023

web fsa algebra 1 eoc retake paper based practice test answer key fsa algebra 1 eoc retake paper based practice test answer key florida alternate assessments faa

[fsa algebra 1 eoc retake paper based practice test answer key](#) - Mar 16 2023

web best algebra 1 eoc pbt sample test materials back practice materials topics

algebra eoc practice test 1 shenandoah middle school - Jul 20 2023

web 1 algebra eoc practice test 1 multiple choice identify the choice that best completes the statement or answers the question 1 george is helping the manager of the local

eoc algebra 1 practice test 2 gotestprep com - Nov 12 2022

web algebra i eoc practice test michelle wise 2 8k plays 54 questions copy edit show answers see preview multiple choice 15 minutes 1 pt a b c d multiple choice 30

[algebra i eoc practice test 2 8k plays quizizz](#) - Sep 10 2022

web algebra 1 eoc practice test quiz for 7th grade students find other quizzes for mathematics and more on quizizz for free *eoc algebra 1 practice test 2023 answer keys* - Dec 13 2022

web this app goes over all of the major topics in algebra 1 and can be used a study material to understand topics in algebra 1 and test your knowledge to help prepare for class tests

pdf algebra eoc practice test 1 nafees fuad academia edu - May 06 2022

web a great resource for reviewing your students on category 1 for the staar algebra 1 eoc this includes staar algebra 1 eoc test prep an aligned staar test question

[algebraic app on the app store](#) - Oct 11 2022

web algebra eoc practice test 1 identify the choice that best completes the statement or answers the question 1 george is helping the manager of the local produce

[b e s t algebra 1 eoc cbt sample test items answer key](#) - May 18 2023

web b e s t algebra 1 eoc cbt sample test items answer key b e s t algebra 1 eoc cbt sample test items answer key florida

alternate assessments faa florida

[results for best eoc algebra 1 practice test tpt](#) - Mar 04 2022

web are you looking for a practice test for the algebra 1 eoc this practice test includes 60 eoc fsa type questions it has been created based on florida math standards mafs

[algebra 1 eoc practice test questions and answers](#) - Sep 22 2023

web nov 16 2023 get ready to ace your algebra 1 eoc with our comprehensive practice test designed to sharpen your algebraic skills this practice test features a range of thought

algebra 1 fsa mathematics practice test questions - Jan 14 2023

web eoc algebra 1 practice test 2 our free eoc end of course algebra 1 practice test 2 is a standardized assessment that measures a student s understanding of algebra 1

fsa algebra 1 eoc retake paper based practice test - Aug 21 2023

web fsa algebra 1 eoc retake paper based practice test fsa algebra 1 eoc retake paper based practice test florida alternate assessments faa florida assessment

2022 23 b e s t algebra 1 and geometry eoc fact sheet - Oct 31 2021

results for algebra 1 eoc practice test 1 tpt - Apr 05 2022

web strongly encouraged take the algebra 1 eoc practice test prior to taking the eoc assessment this practice test will help you gain familiarity with the types of questions

b e s t algebra 1 eoc pbt sample test materials - Feb 15 2023

web algebra 1 eoc fsa mathematics reference sheet customary conversions 1 foot 12 inches 1 yard 3 feet 1 mile 5 280 feet 1 mile 1 760 yards calculators are not

[b e s t eoc paper based sample test materials](#) - Jun 19 2023

web b e s t algebra 1 eoc pbt sample test materials b e s t geometry eoc pbt sample test materials florida alternate assessments faa florida assessment of

[algebra 1 eoc practice test quizizz](#) - Jul 08 2022

web name class date id a algebra eoc practice test 1 multiple choice identify the choice that best completes the statement or answers the question

[eoc algebra 1 practice test 1 gotestprep com](#) - Oct 23 2023

web eoc algebra 1 practice test 1 the practice test is administered online allowing students to complete the quiz at their own pace and on their own schedule once a

algebra 1 end of course assessment sample questions - Jun 07 2022

web algebra 1 end of year eoc review packet test prep with innovative questions this end of course algebra 1 practice test is perfect to help prepare your students for the end of